



Gun Metal (GM)



Venatino White (VW)
(Stone Design)



Tuscan Oak (TO)
(Wood)



4mm Non-metallic Mirror



Anti-oxidation and Anti-blackening Protection



Lightweight & Easy Installation



Waterproof & Warp-Resistant



Flexibility in Shape



Minimal Maintenance



Strength & Durability



Global Popularity



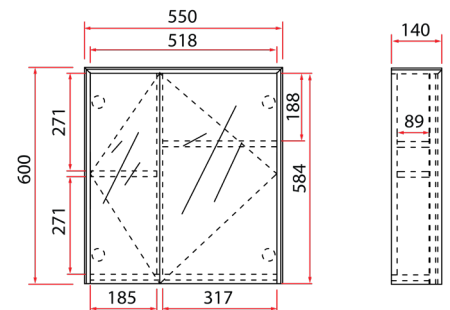
Termite-Resistant

Start each morning by seeing yourself in our ACO mirror cabinet, the perfect centerpiece for your bathroom. Featuring a premium 4mm non-metallic mirror that offers a crystal-clear reflection. Our ACO mirror cabinet is more than just looks; its PVC material highlights its thoughtful design with its lightweight material yet resilient, can easily withstand common household challenges like termites, moisture, and distortion.

Whether you're drawn to the rustic charm of classic wood tones, a contemporary elegance of stone finishes, or a sleek edgy gun metal, our ACO mirror cabinet has the perfect option for you. Each cabinet seamlessly complements any decor, enhancing everything from a minimalist city loft to a cozy suburban retreat.

More than just a cabinet, it embodies a commitment to timeless design and hassle-free living, making it a valued addition to homes everywhere. Pair it with our ACO PVC Vanity Cabinet for a cohesive look, and trust that the ACO Mirror Cabinet will maintain its charm for years, adding a touch of lasting luxury to your space.

Product Information	
Model	RMC-ACO-5560D15
Material	PVC
Available Colour	Gun Metal / Stone Design / Wood
Installation	Wall-Mounted Vertical
Overall Dimension	550 x 600 x 140mm
Reversible	No
Adjustable Shelf	No
Weight	12.68kg
Package Included	Mirror + Mounting Hardware
Warranty (T&C's Apply)	1 year on mirror desilvering



* Measured in Millimeters (mm)
* Product dimension is for reference only.
* Kindly allow 1-3cm of difference in actual product.

*Copyright. All Rights Reserved. Rubine is constantly improving its products and make changes if deemed necessary.