

FAN

BELL
CUTE
ECON
FLY
MATE
WON



01

OUR STORY

It all started in one summer when my son said to me: "Sea level is rising," and my wife extended: "The utility bill is very high this month."

So, at my R&D lab, while working on a new product that used less energy, a sudden breeze blown thru the window and I can feel the chill even it was summer. This has gotten me to think about moving air in an enclosed area and a cheaper way to cool the house instead of air-conditioning.

Leading the design team, we carry up research & experiment and our first prototype from the 3-D printer was a bright yellow 5-bladed ceiling fan - The FLY series - and one team mate asked: "Why yellow?"



This yellow fan was conceptualized from our yellow sofa in the laboratory R&R room and in fact, it has created enthusiasm in the team that lead to more study on the factors that determine airflow in a room.

At Rubine, we are abided by designing products that used less water and less energy; be it a small tap or a centralised hot water system. We have always striven to be part of the GREEN effort in helping the climate change.

And now, a stylish fan that beat the summer heat without breaking your budget...

There are 5 ELEMENTS that decide the airflow of a ceiling fan.

1 BLADE PITCH

This is the angle of the blade that move thru the air. Flat pitch 10-12 degree do not require a large motor to reach high speed. A steeper pitch of 14 – 20 degree will require a larger motor to move the air. Rubine blade pitch is from 12 – 16 degree.

2 BLADE SIZE & SHAPE

Bigger does not necessarily mean better; blades that are designed too long or too wide cannot maximize a ceiling fan airflow neither a blade that is too small & narrow. Our design engineer needs to go thru a very tedious trial & error process to find the right match.

3 RPM

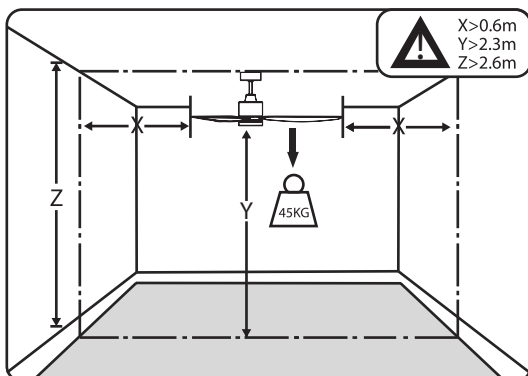
The faster the blades spin the more air they move, but only if the blades have the right pitch. Ideally, to achieve the best ceiling fan airflow, you want to buy a fan that has 6 separate speed settings ranging from low to very high.

4 HEIGHT FROM CEILING

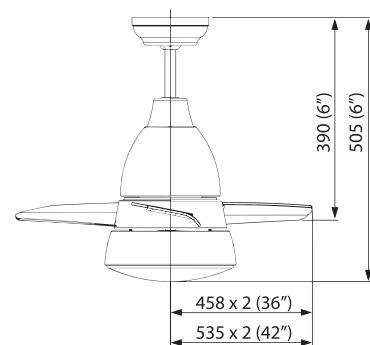
If your fan is installed too close or too far from the ceiling, it won't move much air. To produce the best airflow, your typical fan blades need to be at about 12 inches (305mm) from the ceiling; unless it is a low profile ceiling fan that is designed to be closer to the ceiling.



HEIGHT FROM CEILING



DIMENSION



5 MOTOR

It is the most important feature on your fan, provided that the other four factors are working in alignment. There are many types of motors, AC or DC, brushed or brushless, and various sizes available in the ceiling fan industry.

70% LESS ENERGY.

EXCELLENT AIRFLOW, COMFORT AND DURABILITY



Heavy-duty Steel Rod

100% Copper Wire (155°C)

Precise Bearing (Low noise)



All motors, AC or DC, work by converting electrical energy into mechanical energy, but still, we asked, what are the differences between these two motor types and which motor is going to be best choice for my ceiling fan?

AC motors are powered by connecting directly to a power source. DC motors are powered through the use of a battery or a converter. The speed of the motors is also controlled differently. For an AC motor, the speed is controlled by varying the frequency, while the speed of a DC motor is controlled through the current.

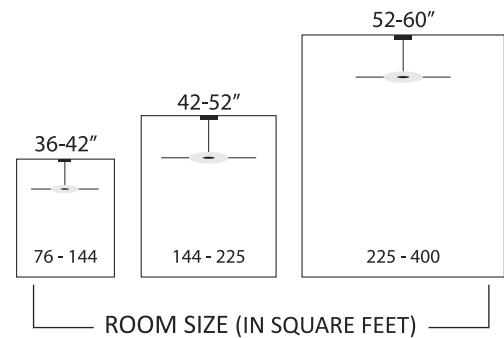
A DC motor is by far the more preferred motor in many applications today, from electric trains to cranes to elevators, and are definitely the choice for ceiling fans as it is quieter, low in maintenance and consumed 70% less energy.

Rubine used low energy EC/DC (Electrically commuted/Direct current) brushless motor which can be more expensive but it provides an excellent airflow, comfort and durability.

It is simple, just **3 KEY WORDS** – size, design and airflow.

1 SIZE

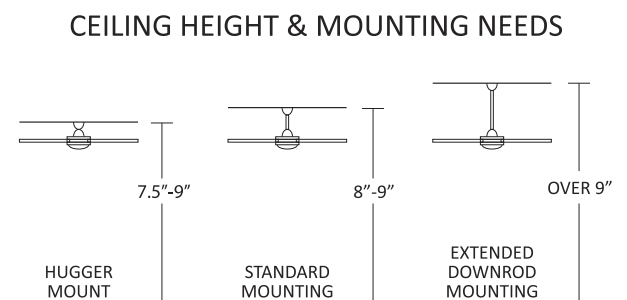
Establish a proper ceiling fan size for your room will do more than just keep you cool; it can also save you money as well as maximise the performance and longevity. The most common ceiling fan blade spans are 42 and 52 inches. Longer blades work best for larger rooms and create softer, more comfortable airflow and shorter blades offer more direct airflow and are ideal for smaller rooms.



ROOM SIZE	RECOMMENDED BLADE SPAN	ROOM TYPE
Less than 144 sqft (12ft by 12ft)	Less than 42"	Utility room, Porches, Powder room
Between 144-225 sqft (15ft by 15ft)	42" to 52"	Bedroom, Dining area, Patios
More than 225 sqft	52" to 60"	Master bedroom, Living room, Family room

2 HEIGHT

For a standard room height of 9ft (2.7m), we suggest the use of a 6" (0.15m) hanging rod as it has the best distance between blade and ceiling in maximizing airflow. Nevertheless, please take note of the minimum clearance height of 2.3m from floor to blade to request a shorter hanging rod.



03

OUR BUYING GUIDE



3 DESIGN

There is a common misconception that a five-bladed ceiling fan works better than a four or three bladed but in reality, the five blades are just an added aesthetic appeal. What really matter is the strength of the motor powering the fan.

From the design concept of a wind turbine, Rubine fans are designed with 3 blades as it represents the best combination of high rotational speed and minimum stress except our iconic FLY series.

4 LIGHTS

With or without, it depends on your house lighting layout but as LED price has come down and in more colours, the use of LED light on ceiling fan is getting popular. Unlike light bulb, the size of LEDs is small and can easily blended into any design of ceiling fan. Rubine has used a 24W LED light with Tri-colours, it is a combined benefits of optimal airflow and energy efficiency. Our suggested LED light for a 12ft by 12ft bedroom is between 18W to 25W.



READING LIGHT



WARM LIGHT



COOL YELLOW

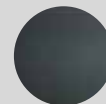
5 COLOURS

Black and white, these are the 2 most common unilateral colours in the ceiling fan industry as it matches well with any design & colour. For those who like a bit woody, Rubine has blade in dark oak colour and to avoid reflection, all the 3 colours are made to matt finishing except our iconic FLY series in bright sofa yellow.

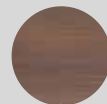
WHITE



BLACK



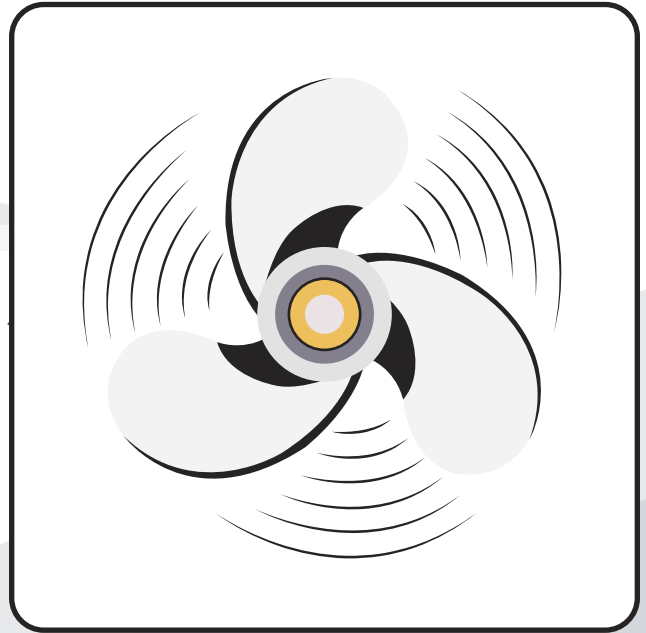
TIMBER



OUR BUYING GUIDE

6 AIRFLOW

The air movement rating, measure in Cubic Feet per Minute (CFM), is an important factor when selecting a ceiling fan for your room. It indicates how much air a fan moves while the fan is set on its highest speed. Typically, a fan that is above 6000 CFM is a great air movers with a high quality motor.



ROOM SIZE	AIRFLOW (CFM)	ROOM TYPE
Less than 144 sqft (12ft by 12ft)	1000 - 3000	Utility room, Porches, Powder room
Between 144-225 sqft (15ft by 15ft)	3000 - 4500	Bedroom, Dining area, Patio
More than 225 sqft	4500 - 6500	Master bedroom, Living room, Family room



QUICK TIPS!

If your main focus is to find a fan with a high CFM, we recommend you to take a look at our list of big size fan with 52" blade as its CFM is more than 7000.



Warranty 10 Years on Motor

Our EC/DC motor are tested over 10,000 times. Highly efficient and durable.



Clockwise/Counterclockwise

You have the options to change the rotating direction of the fan. It expedites the distribution of airflow in winter or in an air-conditioned room.



Innovative DC Motor

Ultra-low energy DC technology for strong airflow delivery and silent operation.



6 Fan Speed

The speed selection allows you to control the cooling effect that you require anytime.



LCD Remote Controller (R20)

Slim and compact design with built-in blue LED light make it easy to see during the dark.



LED 24W (3 Colours)

Energy saving LED with three colour tone. Reading Light, Warm Light and Cool Yellow.



Natural Breeze

This mode gives you the right proportion base on the speed step periodically.



Temperature Sensor (ECO)

Able to detect the surrounding temperature and reduce energy waste.



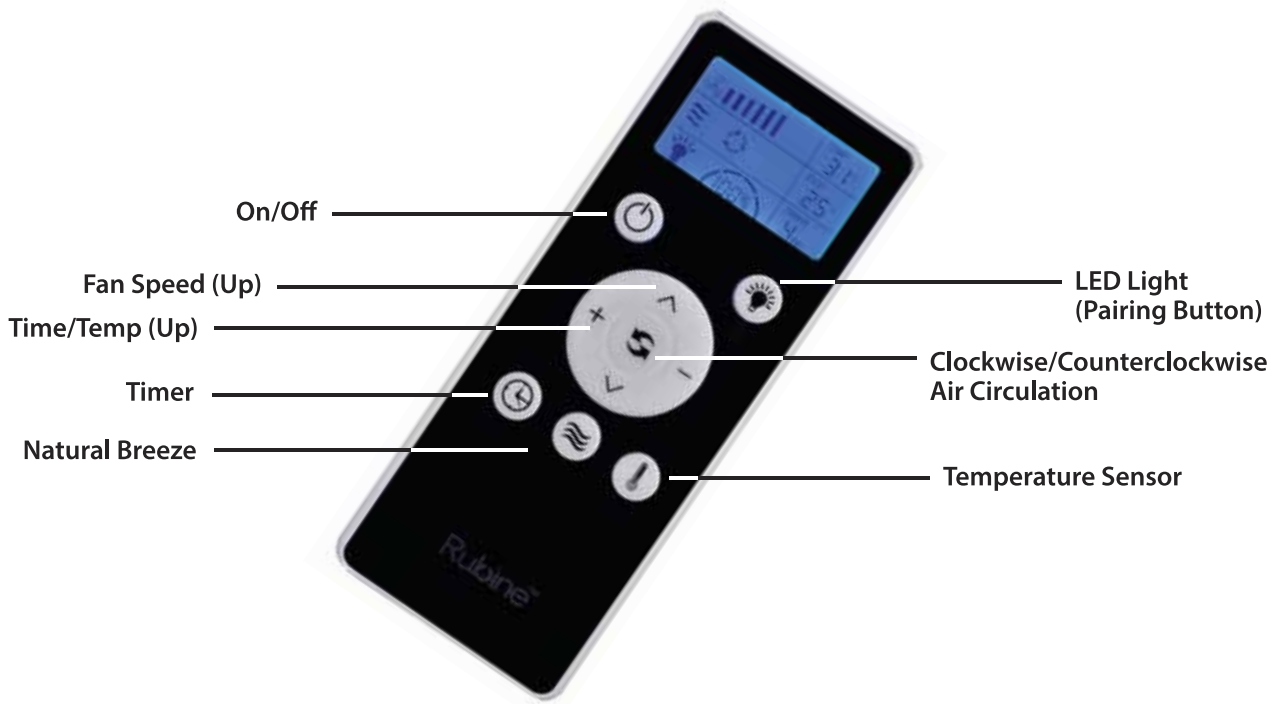
Timer Mode

Set a time (1-4 hours) before you go to sleep.

05

REMOTE CONTROLLER

The R20 LCD display remote controller by Rubine is uniquely designed for use in all of its models. Thru an easy pairing process, you would be able to command the fan via activating any key on the controller. Operated by 2 x 1.5V AAA battery and to prolong the battery life, we have programmed the display screen to go into sleep mode after every 5 seconds of activation.



Features:

- a. Radio frequency signal control
- b. Able to pair to 2 fans.
- c. Bright blue LCD display screen
- d. Durable silicone button control
- e. Five seconds auto-dim function – prolong battery life.
- f. Auto speed control function
- g. Timer (1-4 hours)
- h. 6 fan speeds
- i. Natural breeze mode
- j. Fan reverse function – air circulation
- k. Auto speed control function
- l. Batteries & wall bracket included
- m. 12 months warranty

Rated Input Voltage	220-240V
Rated Input Frequency	50Hz
Radio Frequency Range	433.92MHz.
Fan Power	40W
Light Power	60W(for LED lamp)
Batteries	2* AAA type 1.5V
Nominal Range of Operation	Up to 10 Meter
Gross Weight	246g
Net Weight	213g
Packaging	White Box

OUR COLLECTION

FLY

52" Ceiling Fan with Light Kit



Colours Available:



MATE

52"/60" Ceiling Fan with Light Kit



Colours Available:



BELL

44"/52"/60" Ceiling Fan with Light Kit



Colours Available:



WON

46"/56" Ceiling Fan with Light Kit



Colours Available:



CUTE

36"/42" Ceiling Fan with Light Kit



Colours Available:



ECON

42"/48"/52" Ceiling Fan with Light Kit



Colours Available:



FLY

52" Ceiling Fan with Light Kit

The striking yellow colour is FLY series iconic identity. This 5-bladed 52" ceiling fan is Rubine first original model and it was also the fan that gone thru the most trials before sending to the production floor. It comes with an innovative EC/DC motor which is silent in operation and a 6-speed setting that will generate the airflow according to your preference. In a hot country like Singapore, you will need an effective and strong fan, like FLY, to subside the heat. Available in Yellow, Black and White.



7530
CFM

FEATURES



SPECIFICATION

- Size:** 52 inch span
- Blades:** 5 ABS blades
- Suggest room size:** Less than or equal to 20*20ft
- Light bulb usage:** 1*24W LED with lens. Tri color
- Control type:** M70-40W with LCD transmitter
- Reverse airflow:** Yes
- Motor type:** DC Frequency Converter

ENERGY INFORMATION

ITEM.	UNIT	SPEED (52")	
		HIGH	LOW
AIRFLOW EFFICIENCY:	CFM/W	192.09	468.09
CURRENT:	A	0.286	0.05
ELECTRICITY USE:	WATTS	39.2	4.7
AIRFLOW:	CFM	7530	2200
MAX.RPM	RPM	160	68

COLOURS AVAILABLE



MATE

52"/60" Ceiling Fan with Light Kit

MATE is a sturdy look ceiling fan designed with maximum performance. Measuring at 52" & 60", each blade is fine twisted in its size and pitch-angle so that it can generate a strong breeze and cool a bigger area. This perfect combination of design and performance has made MATE series a popular choice among new house owner. Install a mate, it will blow away your tiredness and be a focal point of your living or dining room.



7620
CFM

FEATURES



SPECIFICATION

Size: 52/60 inch span optional

Blades: 3 ABS blades

Suggest room size: Less than or equal to 20*20ft

Light bulb usage: 1*24W LED with lens. Tri color

Control type: M70-220W with LCD transmitter

Reverse airflow: Yes

Motor type: DC Frequency Converter

COLOURS AVAILABLE



White



Timber



Black

ENERGY INFORMATION

ITEM.	UNIT	SPEED (52")		SPEED (60")	
		HIGH	LOW	HIGH	LOW
AIRFLOW EFFICIENCY:	CFM/W	186.25	426.09	190.50	416.67
CURRENT:	A	0.288	0.049	0.29	0.054
ELECTRICITY USE:	WATTS	40	4.6	40	5.4
AIRFLOW:	CFM	7450	1960	7620	2250
MAX.RPM	RPM	230	95	170	74



BELL

44"/52"/60" Ceiling Fan with Light Kit

BELL is a generic design ceiling fan; it was also a fan that our design engineer has spent the most hours – the objective is to perfect the details and stand out from competition. With our knowledge of airflow and consumer's need, we have fine-tuned the design & specifications and gave this series a new chic look with upgraded features. Engulf your home with cool breeze and no worry on your electricity bill. Available in 44", 52" and 60" and comes in 3 colours – Black, White and Timber.



7620
CFM

FEATURES



SPECIFICATION

Size: 44/52/60 inch span optional

Blades: 3 ABS blades

Suggest room size: Less than or equal to 15*15ft

Light bulb usage: 1*24W LED with lens. Tri color

Control type: M70-40W with LCD transmitter

Reverse airflow: Yes

Motor type: DC Frequency Converter

COLOURS AVAILABLE



ENERGY INFORMATION

ITEM.	UNIT	SPEED (44")		SPEED (52")		SPEED (60")	
		HIGH	LOW	HIGH	LOW	HIGH	LOW
AIRFLOW EFFICIENCY:	CFM/W	276.02	460.53	185.13	431.91	190.98	457.45
CURRENT:	A	0.173	0.044	0.29	0.049	0.288	0.05
ELECTRICITY USE:	WATTS	22.1	3.8	40	4.7	39.9	4.7
AIRFLOW:	CFM	6100	1750	7405	2030	7620	2150
MAX.RPM	RPM	241	102	226	92	199	82



WON

46"/56" Ceiling Fan with Light Kit

Hate to climb out of that comfy couch just to adjust your ceiling fan speed or light? We know that feeling and WON series has started the initiative to add more smart features to make life simple. Our IT engineer has considered a cloud base controller but decided on a more stable & practical RF remote controller, it is handy and equipped with all the required smart controls to your fan. Now, whether you are lying on the bed or watching your Netflix, it is just a easy touch to your cool breeze. It comes in 2 sizes, 46" & 56", and available in Black, White and Timber.



7320
CFM

FEATURES



SPECIFICATION

- Size:** 46/56 inch span optional
- Blades:** 3 ABS blades
- Suggest room size:** Less than or equal to 15*15ft
- Light bulb usage:** 1*24W LED with lens. Tri color
- Control type:** M70-220W with LCD transmitter
- Reverse airflow:** Yes
- Motor type:** DC Frequency Converter

COLOURS AVAILABLE



ENERGY INFORMATION

ITEM.	UNIT	SPEED (46")		SPEED (56")	
		HIGH	LOW	HIGH	LOW
AIRFLOW EFFICIENCY:	CFM/W	325.00	394.59	183	446.81
CURRENT:	A	0.147	0.044	0.289	0.049
ELECTRICITY USE:	WATTS	18.4	3.7	40	4.7
AIRFLOW:	CFM	5980	1460	7320	2100
MAX.RPM	RPM	240	101	222	90



CUTE

36"/42" Ceiling Fan with Light Kit

With petite blade measuring just 36" and 42", CUTE was designed for smaller indoor space like kids room, dining area and balcony. It is a small fan but it has gone thru extra safety tests in our laboratory as we want to market CUTE as a fan with design and high safety standard. The beehive shape and tri-colour light kit has made cuteness at its max. Available in Black, White and Timber.



5600

CFM

FEATURES



SPECIFICATION

Size: 36/42 inch span

Blades: 3 ABS blades

Suggest room size: Less than or equal to 12*12ft

Light bulb usage: 1*24W LED with lens. Tri color

Control type: M70-280W with LCD transmitter

Reverse airflow: Yes

Motor type: DC Frequency Converter

COLOURS AVAILABLE



ENERGY INFORMATION

ITEM.	UNIT	SPEED (36")		SPEED (42")	
		HIGH	LOW	HIGH	LOW
AIRFLOW EFFICIENCY:	CFM/W	203.49	207.81	140.00	329.79
CURRENT:	A	0.19	0.061	0.289	0.049
ELECTRICITY USE:	WATTS	25.8	6.4	40	4.7
AIRFLOW:	CFM	5250	1330	5600	1550
MAX.RPM	RPM	258	142	222	96



SAFETY MARK
190620-12

www.rubine.it

[@rubineitaly](https://www.facebook.com/rubineitaly)

Rubine™

ECON

42"/48"/52" Ceiling Fan with Light Kit

ECON series ceiling fan is unique, it has blades with black on one side and timber at the opposite. This dual colour feature enables you to switch colour anytime to match your new renovation theme. Thus, it is a perfect house warming gift for your friends since the colour is versatile and it also equips with all the latest features. Let our ceiling fan - ECON series be the centre of attention in your home. Available in 3 sizes, 42", 48" and 52".



6750
CFM

FEATURES



SPECIFICATION

Size: 42/48/52 inch span optional

Blades: 3 Wooden blades

Suggest room size: Less than or equal to 15*15ft

Light bulb usage: 1*24W LED with lens. Tri color

Control type: M70-220W with LCD transmitter

Reverse airflow: Yes

Motor type: DC Frequency Converter

COLOURS AVAILABLE



Timber



Black

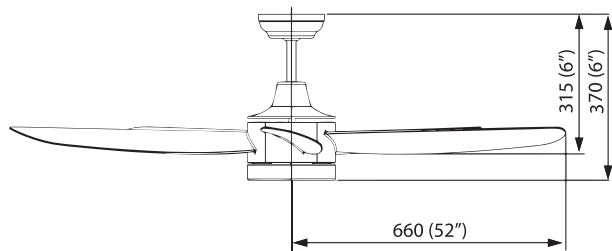
ENERGY INFORMATION

ITEM.	UNIT	SPEED (42")		SPEED (48")		SPEED (52")	
		HIGH	LOW	HIGH	LOW	HIGH	LOW
AIRFLOW EFFICIENCY:	CFM/W	372.03	405.56	292.86	323.40	247.25	294.74
CURRENT:	A	0.116	0.043	0.157	0.057	0.202	0.049
ELECTRICITY USE:	WATTS	14.3	3.6	21	4.7	27.3	5.7
AIRFLOW:	CFM	5320	1460	6150	1520	6750	1680
MAX.RPM	RPM	240	101	241	102	240	101

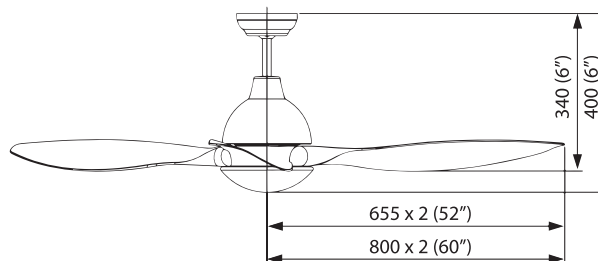


07 DIMENSION

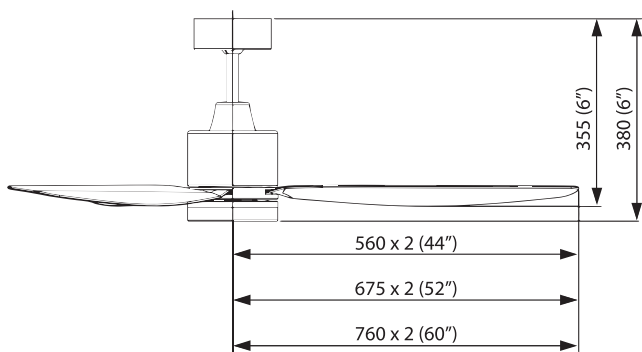
FLY



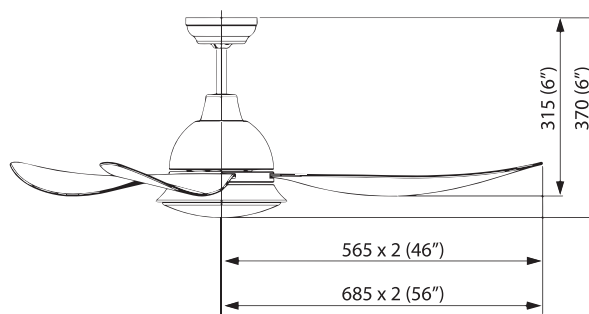
MATE



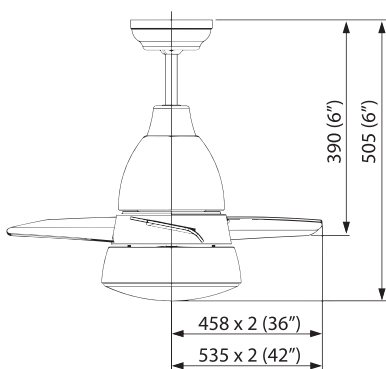
BELL



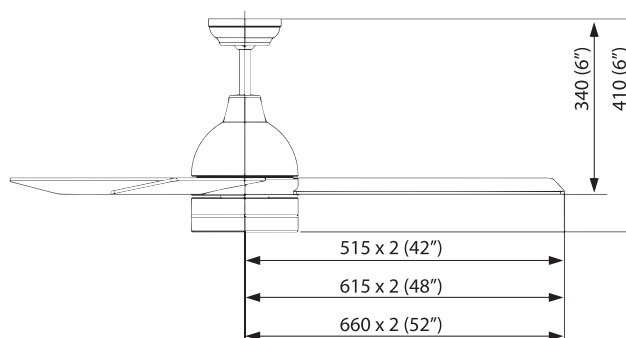
WON



CUTE



ECON



Note: For low profile ceiling, please make special request to our sales representative for 4" hanging rod.





Copyright. All Rights Reserved. Rubine is constantly improving its products and make changes if deemed necessary.



www.rubine.it



@rubineitaly

RubineTM

www.rubine.it



Rubine S.r.l
Via Ponchielli 26
10024 Moncalieri
Torino/Italy
Email: enquiries@rubine.it
Facebook.com/rubineitaly