

P10 Shower Heater  
Perfecting in every aspect



**Rubine**<sup>TM</sup>  
Indulge in the Aqua Lifestyle

 Swiss technology

This is the second time; Rubine has partnered with a Swiss company to develop a water heater. As it is our series 10 of instant water heaters so we want it to be PERFECT in every aspect. The design must be different from all conventional models (see it to believe it), trendy, and eye-catching with its elegant style. Next, uncompromising quality like any Swiss product and inverter DC pump to save energy. With built-in electricity leakage safety, independent thermal cut-off, and high-pressure protection; this heater is just perfect for all. Not yet, we believe your kids will like to play with the innovative air-jet hand and rain shower. Beyond the good looks, P10 offers best-in-class features that enhance your shower experience.



P10-BK



P10-CH

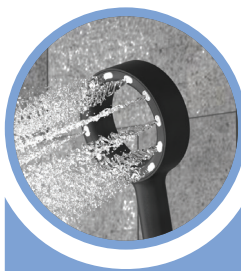




Developed by a Swiss company, best known for their precise & reliable engineering.



**Air Jet 360**  
A sensational Swiss technology on the mixture of air & water to improve the spray force and coverage.



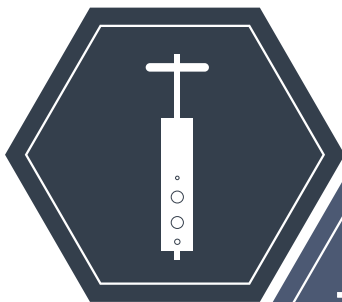
Available in the trendy matt black and new silver chrome.



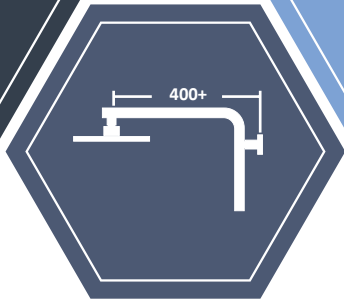
**DC Inverter Booster Pump**  
Low noise and save energy, no more low-pressure issue.



**Dual Functions**  
A combo function that can shower 2 persons at the same time.



**Shower heater**  
An integrated shower heating system with rain & hand shower.



**Longer Arm**  
Shower arm is longer and can swivel in 180 deg position.



**Fibre-Reinforced Tank.** It is energy efficient, burst resistant, hygienic, and avoids limestone.



**Earth Leakage Sensing Device,** An additional safety feature that shuts down the device if there is electricity leakage.



**5-years Warranty**  
Inner tank & heating element

# What is Air-Jet 360?



Air Jet 360 a sensational Swiss technology on the mixture of air & water to improve the spray force and coverage.



This unique nozzle design provide an all directional spray pattern.



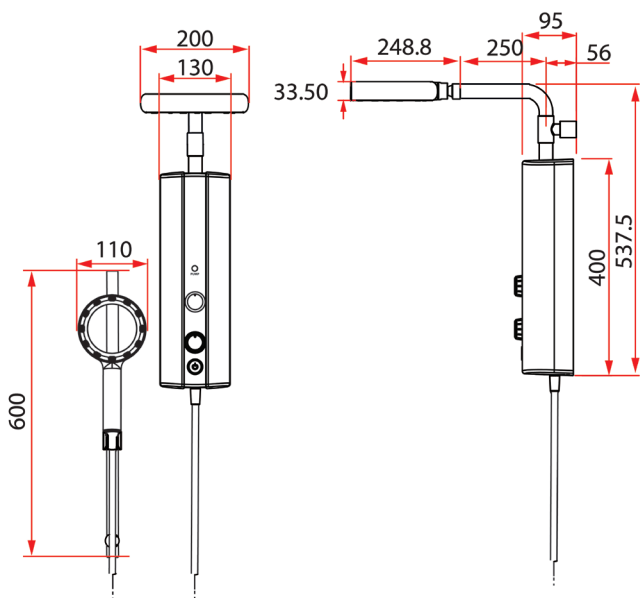
The visible hole in the shower is a dynamic design element but it is not noticeable during showering.



The powerful Air-Jet 360 provides an all directions spray pattern and gives the user full water coverage during showering. The feeling is sensational and you cannot experience it from using a conventional shower.



A conventional shower has an unidirectional stream so it loses spray force but the Air-Jet 360 spray bundles the water and accelerates it so it distributes the water evenly onto every part of your body.



Model	P10
Voltage	220-330V
Power	3.3-3.6KW
Frequency	50Hz
Operating Condition	Open System (Open Outlet)
Water Connection	6½"
Degree of Protection	IP25
Minimum Water Pressure	0.3bar (30kPa)
Maximum Water Pressure	3 bar (300kPa)
Pump Type	DC Centrifugal Pump
Heater Dimension (mm)	400*130*95
Heater Net Weight	4.5kg
Installation	Wall-Mounting
Colour	Sliver Chrome or Matt Black



210301-11



rubine.it



rubineitaly



rubine\_sg



Scan Video