



Large Diameter
Trap-Way



100% Clean Water



Unique Design



High Temperature
Porcelain



High Quality
Surface



Ergonomic
Sitting Posture



Vacuum
Test Process



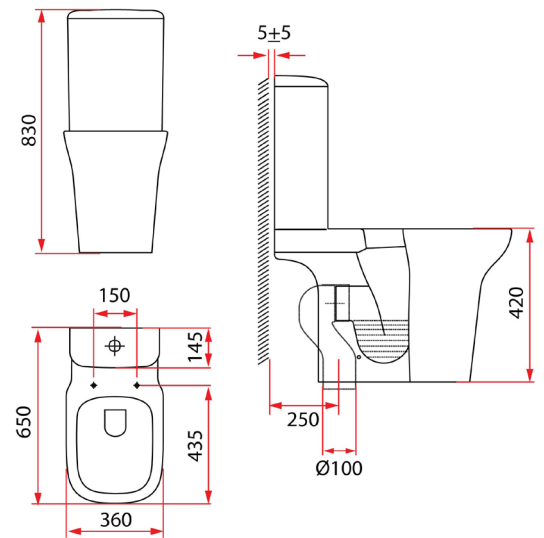
Minimum Water
Consumption



Easy Installation



High Quality
Seat Cover



* Measured in Millimeters (mm)

* Product dimension is for reference only.



R. ISOLE toilet suite is a masterpiece of engineering and design. Breakaway from conventional round shape design, its unique slight square, and clear-line body contour is a true revolution of a new age toilet. Coupled with the Vortex-Tech flushing system, this toilet has achieved a high water conversation standard in Singapore.

It has 3 models with different types of installations; a wall-hung model for those who want a clean look in their bathroom or a traditional close-coupled model with S-trap 10" connection or a P-trap model for those homes with concealed wall sewage.

All in one, the R.Isole is an elegant and superior piece of the toilet that describes your delicate personality.

Product Information	
Model	RI-201S10
Material	Vitreous China (Pan), Vitreous China (Cistern), Urea (Seat)
Colour	White
Overall Dimension	830 x 360 x 650mm
Net Weight	46 Kg
Installation	Floor-mount, S-trap 250mm
Flushing System	Washdown, Dual-flush (4.5/3.0L), Bottom connection
Water Efficiency	Available in 2 ticks and 3 ticks
Water Consumption	Full Flush (4.00L) / Reduced Flush (2.70L) or Full Flush (3.50L) / Reduced Flush (2.50L)
PUB Reg No.	WC-2017/021171 and WC-2017/021184
Package Included	Water tank + Lower pan + Seat cover
Warranty (T&C's Apply)	1 Year Parts + Service / 5 Years On Ceramic Deformation

*Copyright. All Rights Reserved. Rubine is constantly improving its products and make changes if deemed necessary.