

Simple yet versatile is the only word to describe the VENTO series of the wall-hung & countertop ceramic washbasin. Depending on the type of worktop used, it will transform your bathroom into a different touch of class and feel.



Brilliant



Durable



Smooth



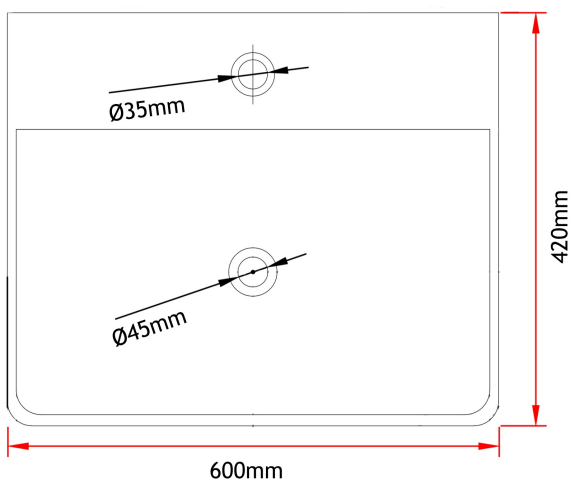
Hygienic



Water repellent



Resistant



- \* All measurements are in millimeters (mm).
- \* Product dimensions are provided for reference only and may vary due to manufacturing tolerances.
- \* Countertop cut-out or installation should not be carried out based solely on this drawing.
- \* Fabrication and countertop cut-out must be based on measurements taken from the physical product.

## Product Information

<b>Model</b>	VENTO H60M
<b>Description</b>	Rectangular VC Basin
<b>Material</b>	Vitreous China
<b>Surface Finishing</b>	High Gloss Finish
<b>Colour</b>	White
<b>Installation</b>	Wall-Hung & Countertop
<b>Overflow</b>	Yes
<b>Overall Dimension</b>	600mm x 420mm
<b>Net Weight</b>	8kg

Copyright ©. All Rights Reserved. Rubine is constantly improving its products and reserves the right to make changes if deemed necessary.