

Simple yet versatile is the only word to describe the VENTO series of the wall-hung & countertop ceramic washbasin. Depending on the type of worktop used, it will transform your bathroom into a different touch of class and feel.



Brilliant



Durable



Smooth



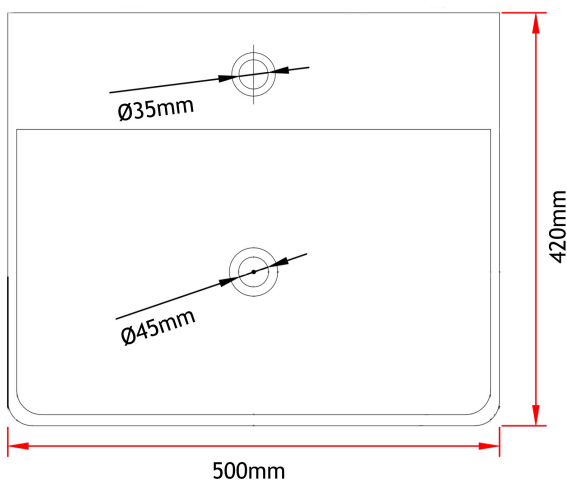
Hygienic



Water repellent



Resistant



* All measurements are in millimeters (mm).

* Product dimensions are provided for reference only and may vary due to manufacturing tolerances.

* Countertop cut-out or installation should not be carried out based solely on this drawing.

* Fabrication and countertop cut-out must be based on measurements taken from the physical product.

Product Information

Model	VENTO H50M
Description	Rectangular VC Basin
Material	Vitreous China
Surface Finishing	High Gloss Finish
Colour	White
Installation	Wall-Hung & Countertop
Overflow	Yes
Overall Dimension	500mm x 420mm
Net Weight	6kg

Copyright ©. All Rights Reserved. Rubine is constantly improving its products and reserves the right to make changes if deemed necessary.