

The SFERA collection is defined by pure geometry and balanced proportions. With its rounded handle design and smooth, continuous lines, it delivers a seamless and intuitive user experience.

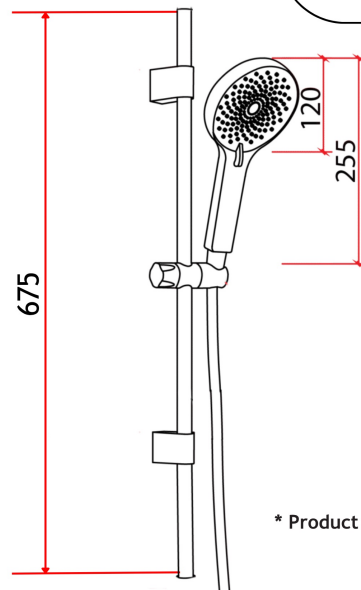
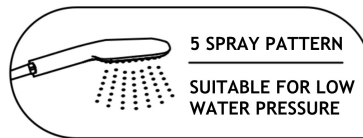
Crafted from brass and stainless steel, and fitted with a water-saving aerator, SFERA combines precision performance with refined detailing. Its understated yet sophisticated form brings a sense of quiet luxury, making it a versatile choice for contemporary bathroom and kitchen spaces.

\* Measured in Millimeters (mm)  
\* Product dimension is for reference only.

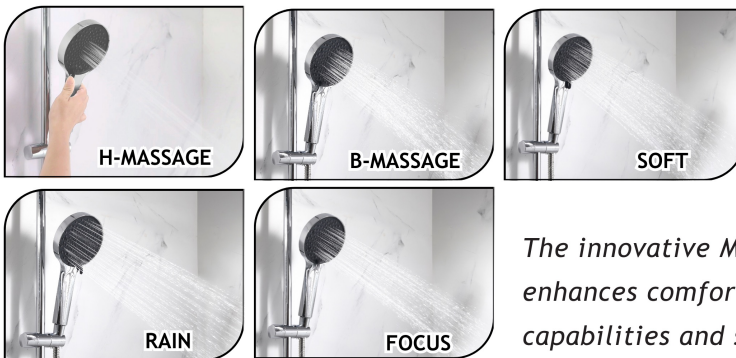
## Product Information

<b>Model</b>	SFERA H5161
<b>Description</b>	Bath Mixer
<b>Surface Finishing</b>	Electroplated
<b>Colour</b>	Chrome
<b>Water Connection</b>	Hot and Cold

Copyright ©. All Rights Reserved. Rubine is constantly improving its products and reserves the right to make changes if deemed necessary.



\* Measured in Millimeters (mm)  
\* Product dimension is for reference only.



The innovative MAY521 shower boasts a distinctive design that enhances comfort in any bathroom setting. Featuring water-saving capabilities and silicone nozzles, this shower is both sustainable and dependable. It is available exclusively in a glossy chrome finish.

Product Information	
Model	RSH-MAY-H521
Description	Shower Set
Surface Finishing	Electroplated
Colour	Chrome
Spray Functions	5

Copyright ©. All Rights Reserved. Rubine is constantly improving its products and reserves the right to make changes if deemed necessary.