



Large Diameter Trap-Way



Funnel Flush 3.0



Unique Design



Rimless



Soft-closing seat



Anti-bacterial



Vacuum Test Process



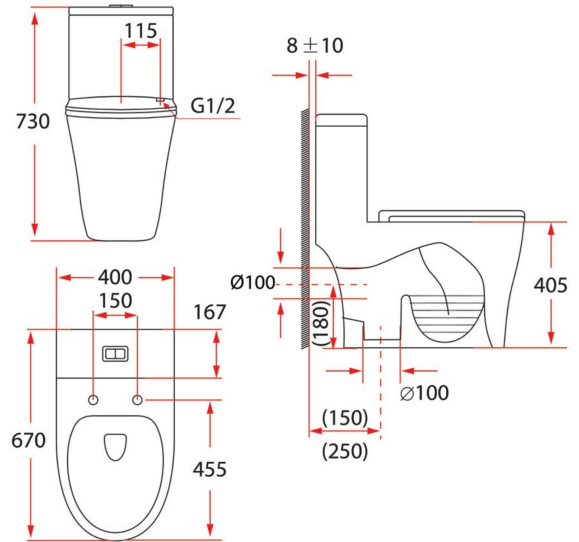
Minimum Water Consumption



Easy Installation



Ergonomic Sitting Posture



\* Measured in Millimeters (mm)  
\* Product dimension is for reference only.



## Product Information

Model	PN-105S06 (S-trap 150)	PN-105S10 (S-trap 250)	PN-105P07 (P-trap)
Description	Rimless One Piece Toilet Bowl		
Material	Vitreous China (Pan), Vitreous China (Cistern), Urea (Seat)		
Colour	White		
Overall Dimension	670 x 400 x 730 mm		
Net Weight	53kg		
Installation	Floor-mount, S-trap 150mm	Floor-mount, S-trap 250mm	Floor-mount, P-trap 180mm
Flushing System	Washdown, Dual-flush (4.5/3.0L), Bottom connection		
Water Efficiency	Available in 2 ticks and 3 ticks		
Water Consumption	Full Flush (4.00L) / Reduced Flush (2.70L) or Full Flush (3.50L) / Reduced Flush (2.50L)		Full Flush (3.90L) / Reduced Flush (3.00L) or Full Flush (3.50L) / Reduced Flush (2.50L)
PUB Reg No.	WC-2021/032068/SLS (2-ticks) WC-2021/032069/SLS (3-ticks)	WC-2021/032070/SLS (2-ticks) WC-2021/032071/SLS (3-ticks)	WC-2021/032748/STL (2-ticks) WC-2021/032749/STL (3-ticks)

\*Copyright. All Rights Reserved. Rubine is constantly improving its products and make changes if deemed necessary.