



Superinox™
High-Grade
Stainless Steel



PVD
Nano
Coating



Heat
Resistance



Anti-Condensation
Coating



High Scratch
Resistance



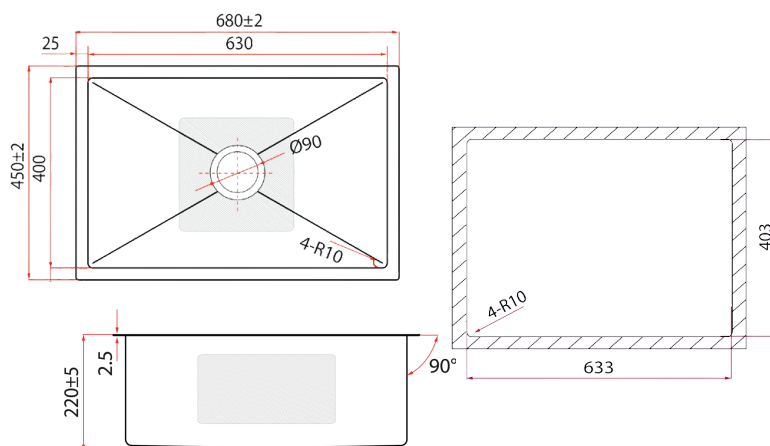
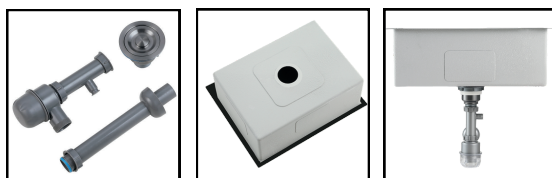
Anti-Stain



Anti-Bacterial



3mm Thick
Anti-Noise Pad



* All measurements are in millimeters (mm).

* Product dimensions are provided for reference only and may vary due to manufacturing tolerances.

* Countertop cut-out or installation should not be carried out based solely on this drawing.

* Fabrication and countertop cut-out must be based on measurements taken from the physical product.

Product Information

| | |
|-----------------------------------|--|
| Model | KNX 810-68U-GM (Stone) |
| Material | 18/8 Stainless Steel |
| Surface Finishing | PVD Nano Stone Surface |
| Installation | Undermount OR Inset |
| Pre-Punch Tap Hole | No |
| Sound Deadening Pads | Yes |
| Anti-Condensing | Yes |
| Thickness | 1.2 mm |
| Reversible | Yes |
| Overflow | No |
| Overall Dimension | 680 x 450 x 220 mm |
| Bowl Dimension | 630 x 400 mm |
| Package Included | 3½" Basket Waste and Bottle Trap + Cut-Out Template + Clips |
| Warranty (T&C's Apply) | 5 Years Against Rust on Sink Surface (with Proper Maintenance) |

Copyright ©. All Rights Reserved. Rubine is constantly improving its products and reserves the right to make changes if deemed necessary.