



Superinox™  
High-Grade  
Stainless Steel



PVD  
Nano  
Coating



Heat  
Resistance



Anti-Condensation  
Coating



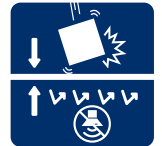
High Scratch  
Resistance



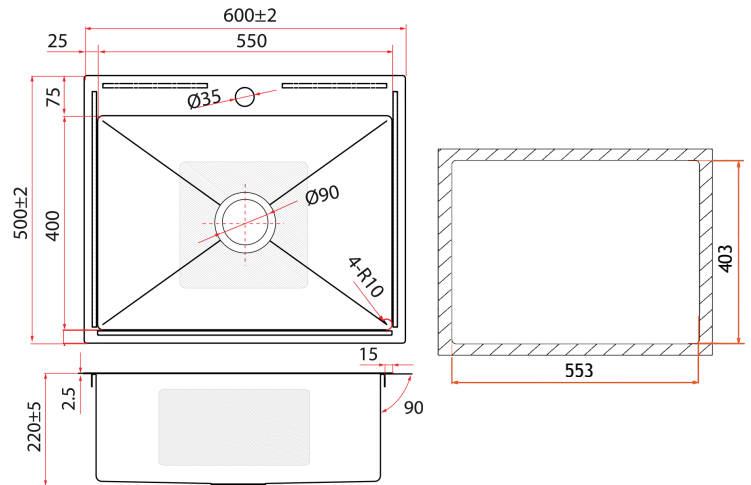
Anti-Stain



Anti-Bacterial



3mm Thick  
Anti-Noise Pad



\* All measurements are in millimeters (mm).

\* Product dimensions are provided for reference only and may vary due to manufacturing tolerances.

\* Countertop cut-out or installation should not be carried out based solely on this drawing.

\* Fabrication and countertop cut-out must be based on measurements taken from the physical product.

### Product Information

<b>Model</b>	KNX 810-60-GM (Stone)
<b>Material</b>	18/8 Stainless Steel
<b>Surface Finishing</b>	PVD Nano Stone Surface
<b>Installation</b>	Inset Only
<b>Pre-Punch Tap Hole</b>	Yes
<b>Sound Deadening Pads</b>	Yes
<b>Anti-Condensing</b>	Yes
<b>Thickness</b>	1.2 mm
<b>Reversible</b>	No
<b>Overflow</b>	No
<b>Overall Dimension</b>	600 x 500 x 220 mm
<b>Bowl Dimension</b>	540 x 400 mm
<b>Package Included</b>	3½" Basket Waste and Bottle Trap + Cut-Out Template + Clips
<b>Warranty (T&amp;C's Apply)</b>	5 Years Against Rust on Sink Surface (with Proper Maintenance)

Copyright ©. All Rights Reserved. Rubine is constantly improving its products and reserves the right to make changes if deemed necessary.