



Superinox™  
High-Grade  
Stainless Steel



PVD  
Nano  
Coating



Heat  
Resistance



Anti-Condensation  
Coating



High Scratch  
Resistance



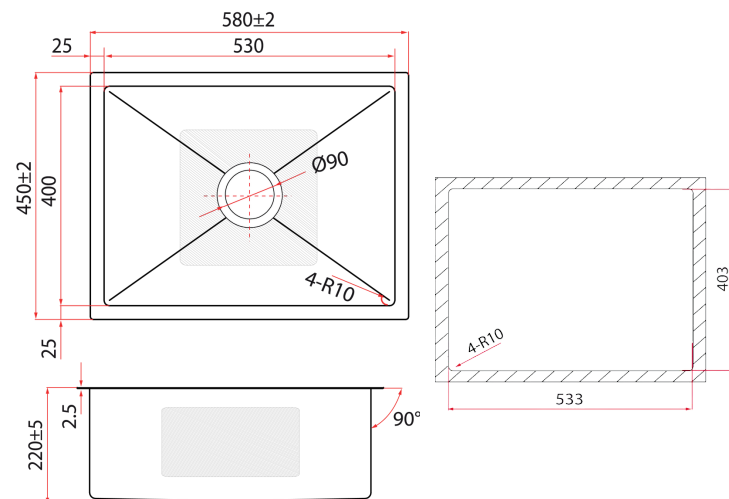
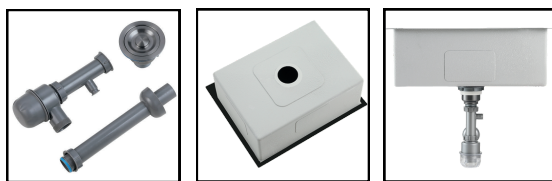
Anti-Stain



Anti-Bacterial



3mm Thick  
Anti-Noise Pad



\* All measurements are in millimeters (mm).

\* Product dimensions are provided for reference only and may vary due to manufacturing tolerances.

\* Countertop cut-out or installation should not be carried out based solely on this drawing.

\* Fabrication and countertop cut-out must be based on measurements taken from the physical product.

### Product Information

Model	KNX 810-58U-GM (Stone)
Material	18/8 Stainless Steel
Surface Finishing	PVD Nano Stone Surface
Installation	Undermount OR Inset
Pre-Punch Tap Hole	No
Sound Deadening Pads	Yes
Anti-Condensing	Yes
Thickness	1.2 mm
Reversible	Yes
Overflow	No
Overall Dimension	580 x 450 x 220 mm
Bowl Dimension	530 x 400 mm
Package Included	3½" Basket Waste and Bottle Trap + Cut-Out Template + Clips
Warranty (T&C's Apply)	5 Years Against Rust on Sink Surface (with Proper Maintenance)

Copyright ©. All Rights Reserved. Rubine is constantly improving its products and reserves the right to make changes if deemed necessary.