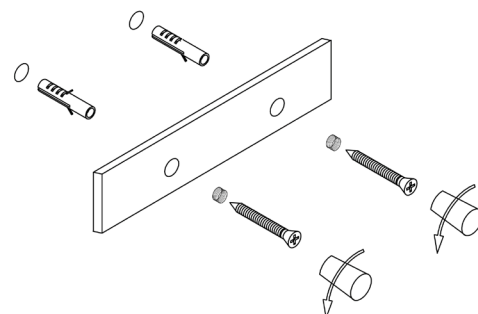


* Measured in Millimeters (mm)

* Product dimension is for reference only.

FLAT series offers a range of smooth & clean-line design bathroom accessories. From a single towel bar to a ceramic cup toilet brush holder, every model has gone thru numerous changes before it was handed to production. They are easy to install and made of alloy, a metal composition that is hard and high resistance to corrosion, improves its durability. Available in Forest Grey and Matt Black.

Wide and flat surface design match well with any modern vogueish bathroom.



Product Information	
Model	FT-6504D FG / FT-6504D MB
Material	Metal Alloy
Surface Finishing	Electroplated
Colour	Forest Grey / Matt Black
Installation	Wall Mounted
Overall Dimension	120 x 25 x 30mm
Package Included	1 x Double Robe Hook + Screws and Anchors
Warranty (T&C's Apply)	1 Year Parts + Service

*Copyright. All Rights Reserved. Rubine is constantly improving its products and make changes if deemed necessary.